

DESIGNED BY HEIKKI TOROPAINEN

sofa **KIRUNA**

Do you want a small sofa? Or a huge family corner sofa? Or perhaps you prefer to create a sofa in the shape and size that works best in your interior? Kiruna offers a variety of different units which are available in wide range of fabrics and leathers.





# Piping

You can choose between the following piping options:

- a) light gray
- b) black
- c) without piping

# Legs

Do you prefer metal or wooden legs?



Metal (H 13)



Wooden (H 12)

## REGULAR PIECES

(All measurements are approximate)

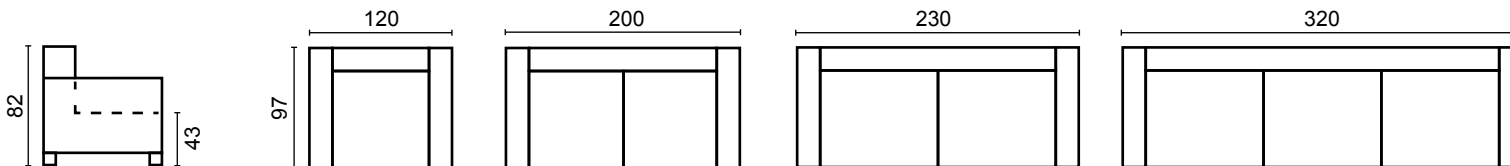
HEIGHT

1

2

3

4



## SEAT

HR foam 35kg + mix of feathers and shredded foam

## BACK

Mix of feathers and shredded foam

## ARMREST

Foam 25kg

## FRAME

Plywood + wood  
No-Sag springs

## LEGS

STANDARD: Metal legs, H 13 cm

OPTIONAL: Wooden legs, H 12 cm

6 color options:

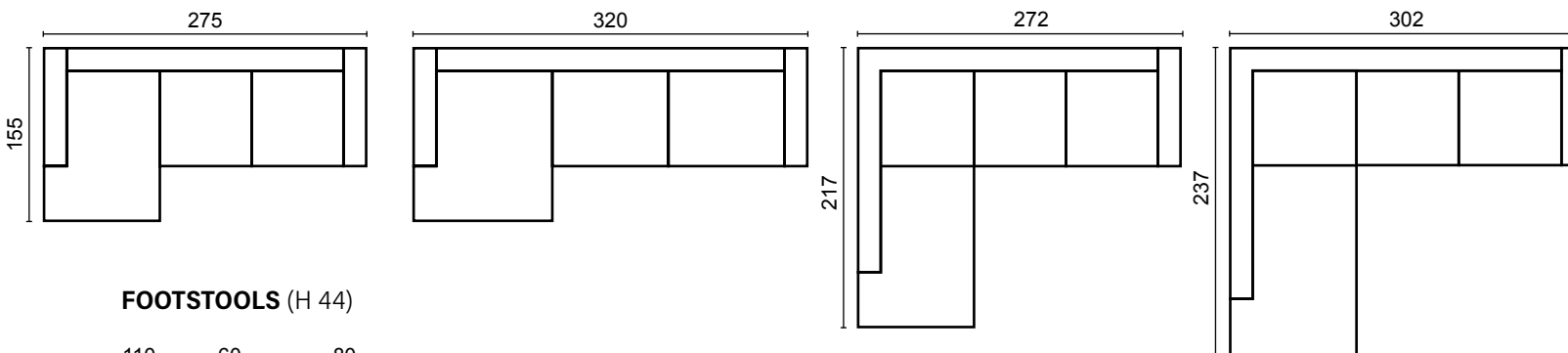
black / dark brown / walnut / oak / beech / white

3 DIV (Left/Right)

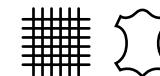
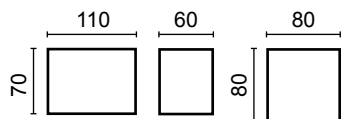
4 DIV (Left/Right)

OPEN END (Left/Right)

OPEN END LARGE (Left/Right)



FOOTSTOOLS (H 44)



Available in fabrics & leathers